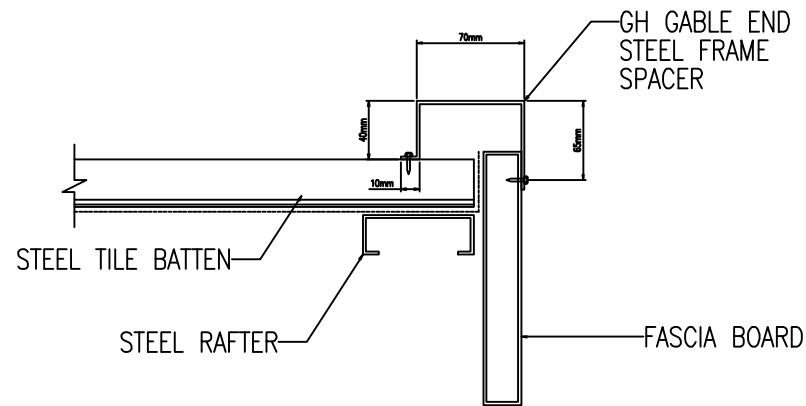
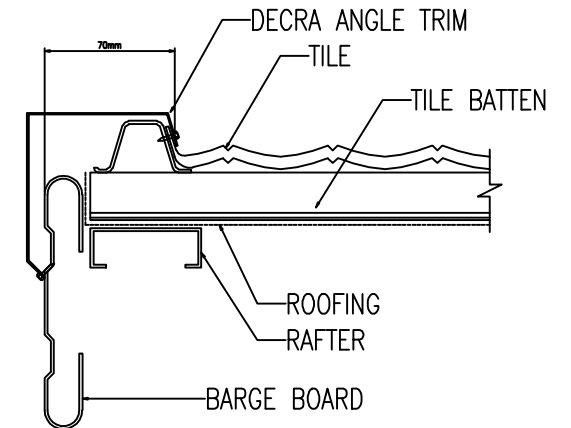


LOCATE GABLE END BATTEN AS CLOSE TO THE EDGE OF THE TILE BATTEN. FASTEN TRIM TO FASCIA AND OVER TURNED UP TILE.



GABLE BATTEN INSTALLATION ANGLE TRIM WITH STEEL FRAME GABLE END SPACER



GABLE BATTEN INSTALLATION DECRA ANGLE TRIM